



**AUTHORIZED
ACCESS ONLY.**



Ensuring security and crowd management at the entrance in areas with high pedestrian flow is a challenging task. To make this difficult task easier, Godrej Security Solutions presents **VigiGuard Flap Barrier**. Designed for pedestrian entrance control, it helps to control and secure access, allowing only one person through at a time.

APPLICATIONS:

Works for indoor applications like office and admin buildings, IT parks, large business facilities, industrial areas, etc.



FEATURES & BENEFITS

- Brushless DC motor enabling high reliability and long lasting performance
- Energy efficient, consumes power upto 80 watts
- Safety sensor prevents closing of flaps, ensuring pedestrian safety
- Better aesthetics with granite finish panel on the top and no sharp edges
- Flap material: acrylic
- Tail gating alert
- Bi-directional operation: can be used for both entry & exit
- Configuration to single and multiple lanes enables efficient use of space
- Microprocessor based controller for smooth operation
- Lane indicator displays whether passage is barred or free
- Housing material: mild steel powder coated or stainless steel grade 304 or optional stainless steel grade 316
- Integration with access control device



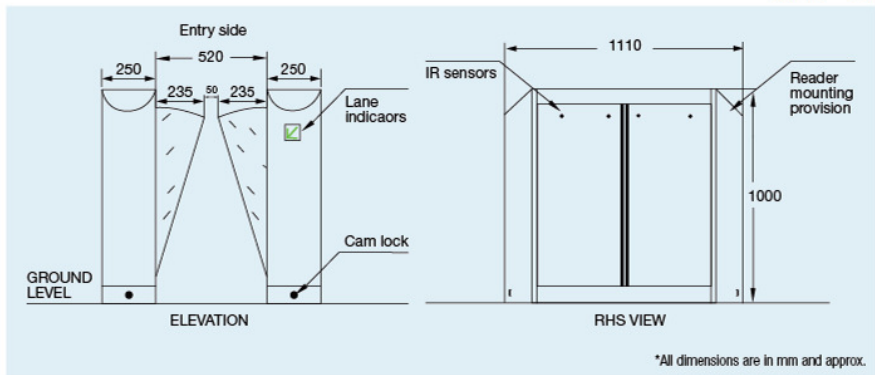
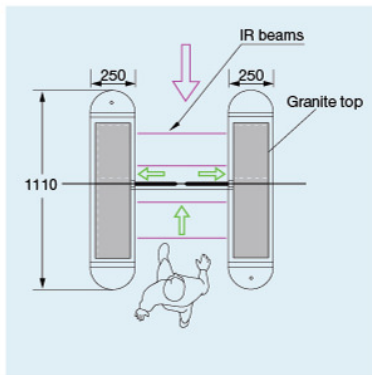
SPECIFICATIONS

Parameters	Standard lane (GFB-M1,S1)	Wide lane (GFB-M2,S2)
Tail gating detection system		
Operating Time (sec)	0.5	0.5
Height (approx. mm)	1000	1000
Length (approx. mm)	1110	1110
Width (approx. mm)	250	450
Power Supply (VAC)	230	230
Passage Clearance (mm)	520	900
Motor	24V DC	24V DC
Duty Cycle	Intensive Use	Intensive Use



Dimensions

GFB - S1



Disclaimer: In view of the Godrej policy of continuous development and Improvement, the dimensions and specifications may be changed without prior notice or obligation. Colours of the products shown in this catalogue may not match the actual colour of the product due to printing limitations.